

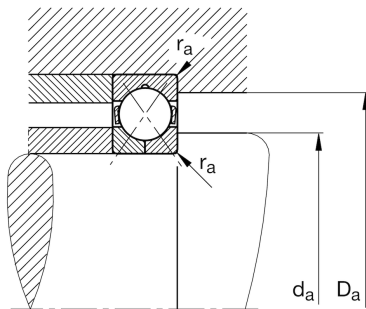
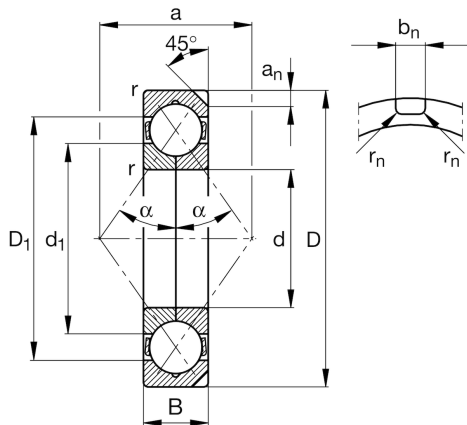
FAG

QJ226-N2-MPA-C3

Four-point contact bearing

Schaeffler ID:
0192613140030Four point contact bearing QJ2..-N2-MPA,
holding grooves, solid brass cage

Technical information



Main Dimensions & Performance Data

| | | |
|----------|-------------|-----------------------------------|
| d | 130 mm | Bore diameter |
| D | 230 mm | Outside diameter |
| B | 40 mm | Width |
| C_r | 295.000 N | Basic dynamic load rating, radial |
| C_{0r} | 370.000 N | Basic static load rating, radial |
| C_{ur} | 15.800 N | Fatigue load limit, radial |
| n_G | 5.100 1/min | Limiting speed |
| n_{gr} | 2.800 1/min | Reference speed |
| | 7,492 kg | Weight |

Dimensions

| | | |
|-----------|----------|---|
| r_{min} | 3 mm | Minimum chamfer dimension |
| D_1 | 196,2 mm | Shoulder diameter outer ring |
| d_1 | 165,4 mm | Shoulder diameter inner ring |
| a | 127 mm | Distance between the apexes of the pressure cones |
| a_n | 11,7 mm | Height retaining slot |
| b_n | 10,5 mm | Width retaining slot |
| r_n | 2 mm | Radius retaining slot |
| | 45 ° | Angle retaining slot |
| α | 35 ° | Contact angle |

Mounting dimensions

| | | |
|-------------|--------|--------------------------------------|
| $d_{a min}$ | 144 mm | Minimum diameter shaft shoulder |
| $D_{a max}$ | 216 mm | Maximum diameter of housing shoulder |
| $r_{a max}$ | 2,5 mm | Maximum fillet radius |

Temperature range

| | | |
|-----------|--------|----------------------------|
| T_{min} | -30 °C | Operating temperature min. |
| T_{max} | 150 °C | Operating temperature max. |